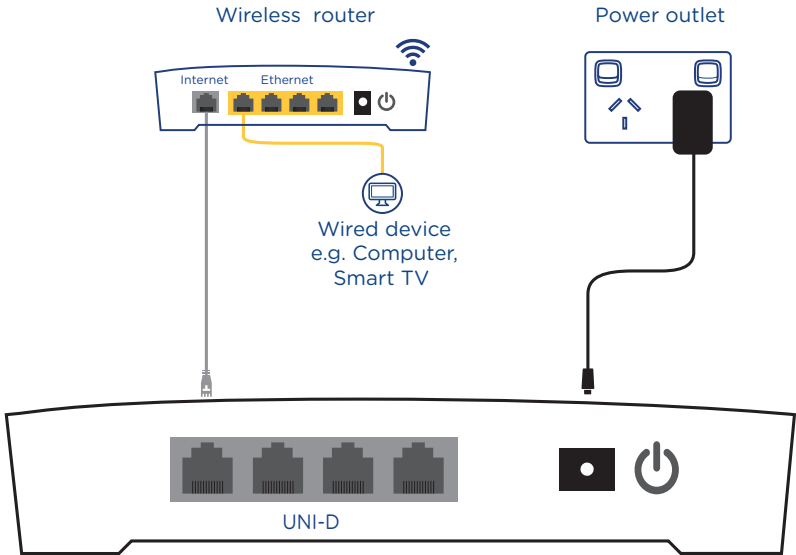


Congratulations on switching to the nbn™ network. This guide will help you set up your equipment so you can start enjoying the nbn™ network straight away.

Once set up, your equipment should look similar to this:



— Ethernet — Internet cable — Power cable



How to connect your equipment to the nbn™ network

- 1** **Ensure your service is active**
After your installation, your new nbn™ service should be active straight away. If already installed, your service should be active within 6 hours of receiving the confirmation email from SkyMesh.
- 2** **Connect to the nbn™ network**
Plug a ethernet cable from your nbn™ SNTD (*UNI-D 1 or as advised*) into the internet port of your router.
- 3** **Power up your router**
Plug the power adapter into your router then into a nearby power outlet.
- 4** **Connect your devices**
To connect via Wi-Fi, select the network name and enter your password. Or, to connect directly to your router, plug one end of the Ethernet cable into an Ethernet port on your router and the other end into the Ethernet port on your device.
- 5** **Need assistance?**
For further assistance please call SkyMesh on: 1300 759