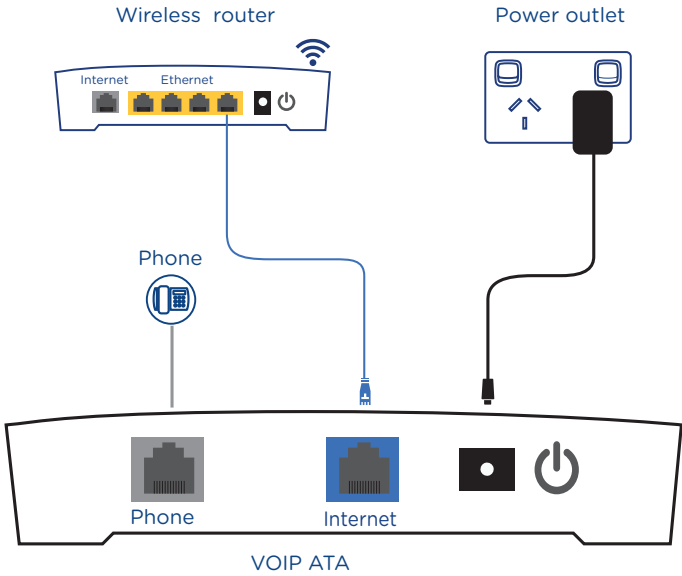


Congratulations on switching to the nbn™ network. This guide will help you set up your equipment so you can start enjoying the nbn™ network straight away.

Once set up, your equipment should look similar to this:





How to connect your SkyMesh VoIP service.

- 1** **Power up your router**
Plug the power adapter into your router then into a nearby power outlet.
- 2** **Connecting your VoIP ATA**
Plug a ethernet cable from the interney ports on your router to the internet port on your ATA.
- 3** **Power up your ATA**
Plug the power adapter into your ATA then into a nearby power outlet.
- 4** **Connecting your phone**
Plug you phone into the phone 1 port using a phone cable.
- 5** **Need assistance?**
For further assistance please call SkyMesh on: 1300 759 637